



## تمرین محیط Assembly Design

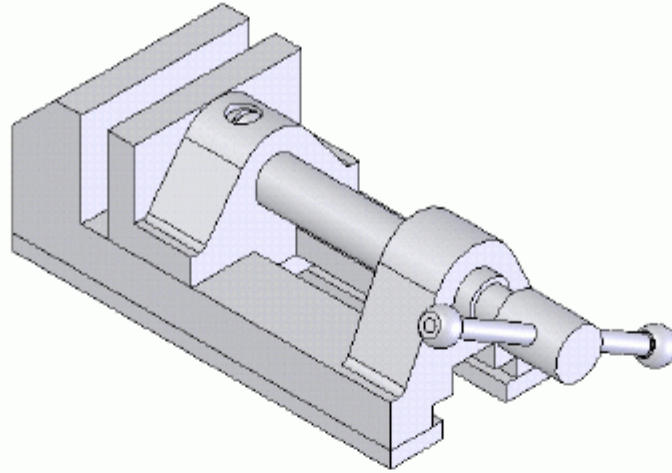


Figure 1 The Bench Vice assembly

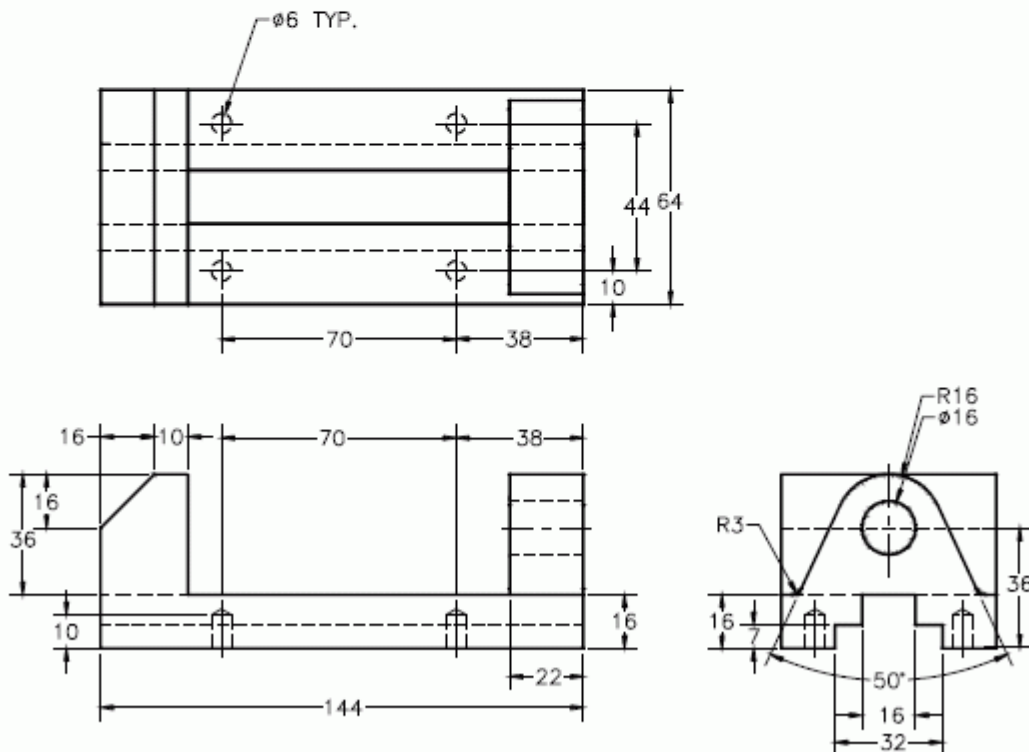


Figure 2 Views and dimensions of the base

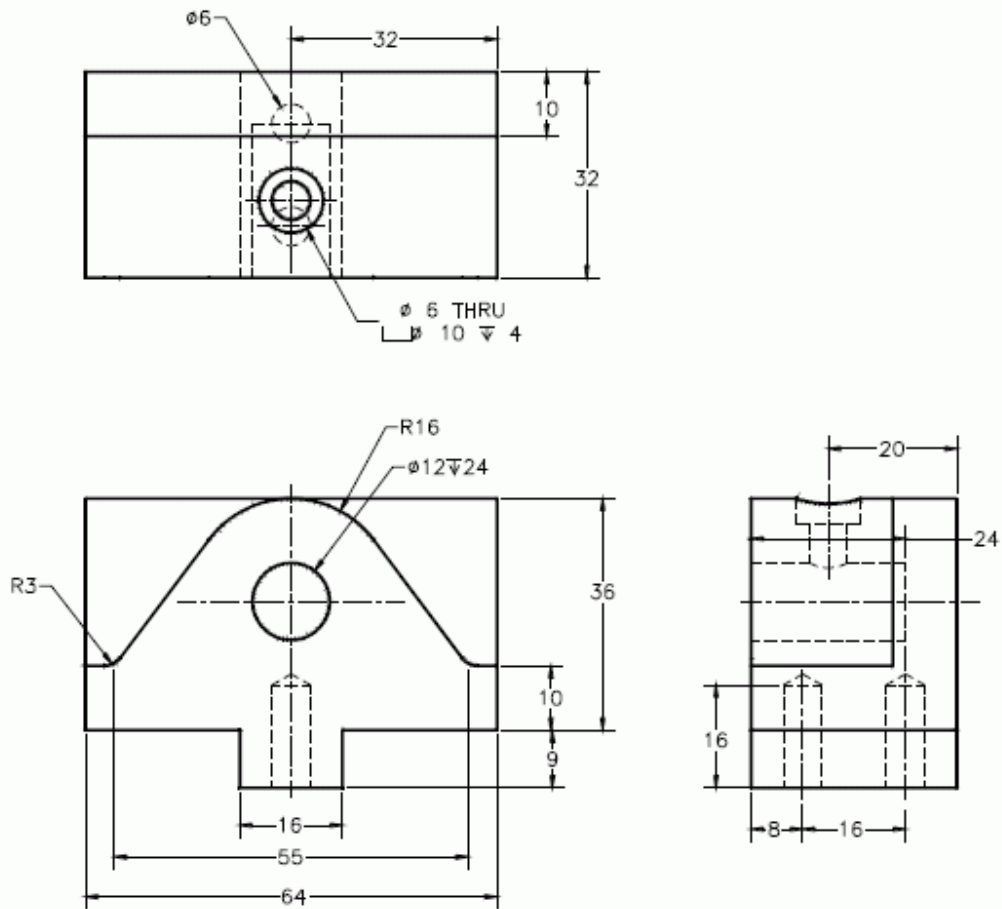


Figure 3 Views and dimensions of the Vice Jaw

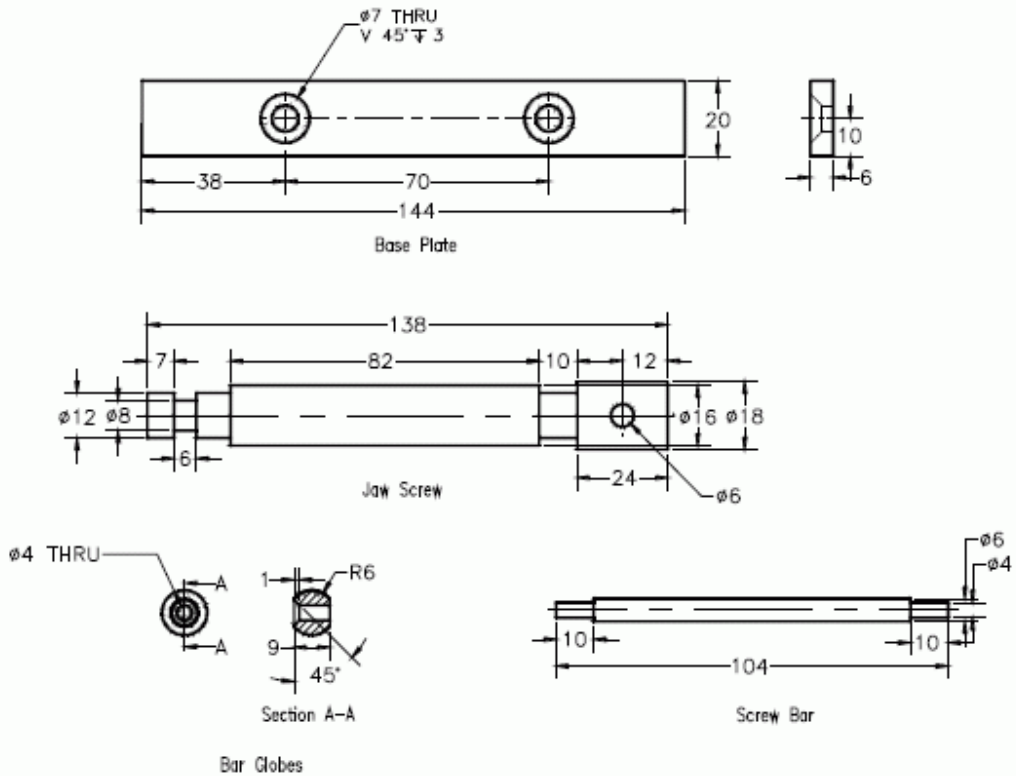
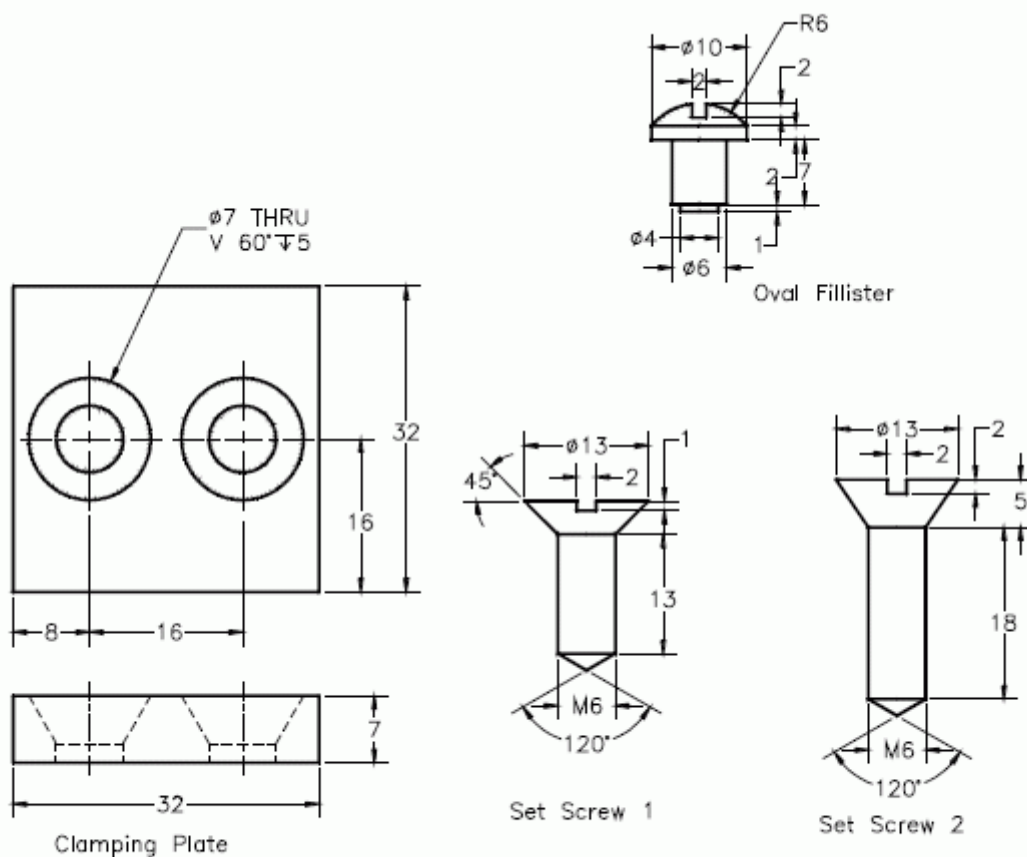


Figure 4 Views and dimensions of various components of the Bench Vice assembly



Figures 5 Views and dimensions of various components of the Bench Vice assembly