



تمرین محیط Assembly Design

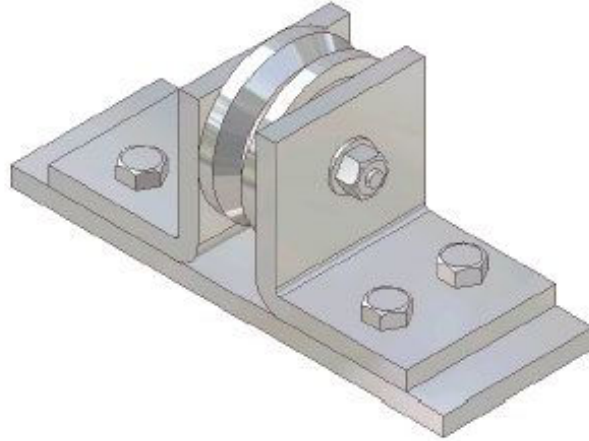


Figure 1 The Wheel Support assembly

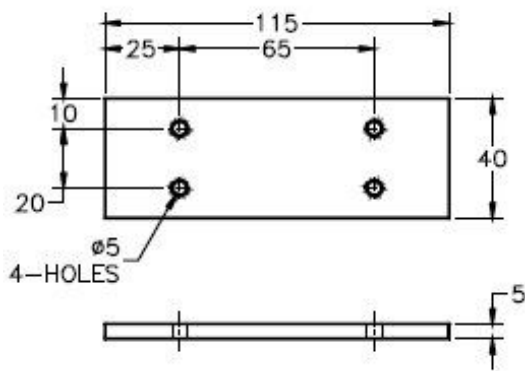


Figure 2 Dimensions of the Base

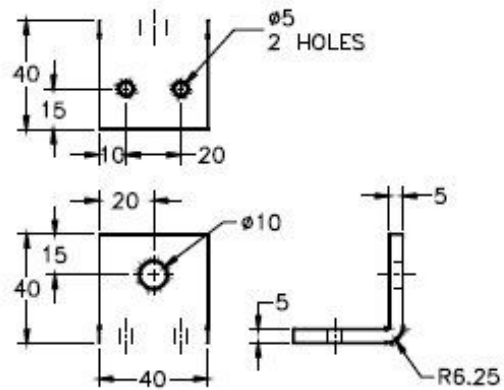


Figure 9-3 Dimensions of the Support

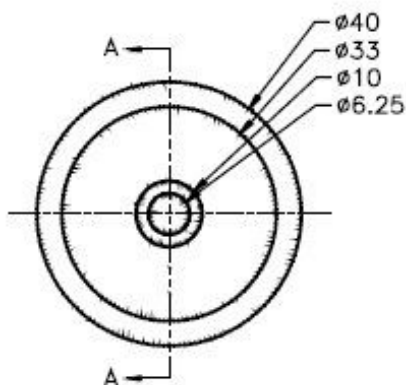


Figure 4 Front view of the Wheel

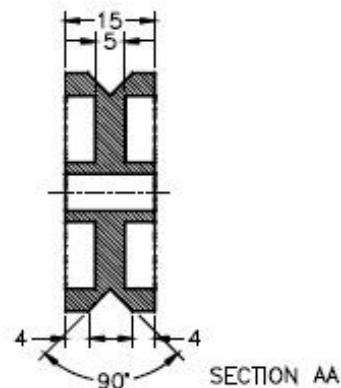


Figure 5 Sectioned side view of the Wheel

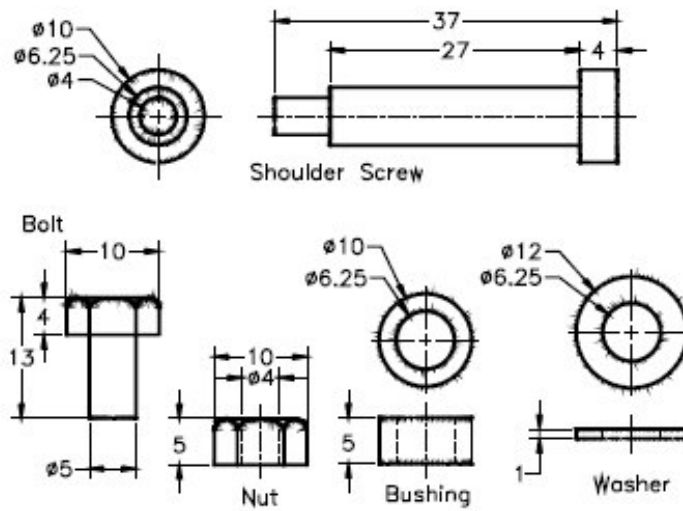


Figure 6 Dimensions of the Shoulder Screw, Bolt, Nut, Bushing, and Washer